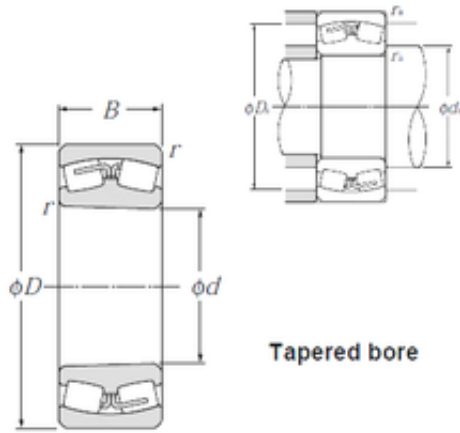




232/530BK NTN Spherical Roller Bearings



232/530BK Bearing 2D drawings and 3D CAD models

Bearing No. 232/530BK

Size	530x980x355 mm
Bore Diameter	530 mm
Outer Diameter	980 mm
Width	355 mm
d	530 mm
D	980 mm
B	355 mm
C	355 mm
r min.	9,5 mm
da min.	574 mm
Da max.	936 mm
ra max.	8 mm
Weight	1 170 Kg
Basic dynamic load rating (C)	10 400 kN
Basic static load rating (C0)	19 800 kN
(Grease) Lubrication Speed	280 r/min
(Oil) Lubrication Speed	370 r/min
Calculation factor (e)	0,39
Calculation factor (Y0)	1,7
Calculation factor (Y1)	1,74