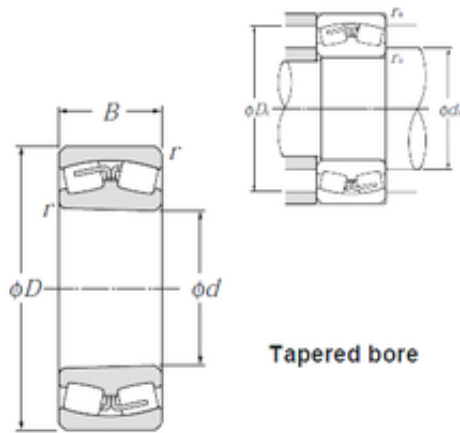




23080BK NTN Spherical Roller Bearings



Bearing No. 23080BK

23080BK Bearing 2D drawings and 3D CAD models

Size	400x600x148 mm
Bore Diameter	400 mm
Outer Diameter	600 mm
Width	148 mm
d	400 mm
D	600 mm
B	148 mm
C	148 mm
r min.	5 mm
da min.	422 mm
Da max.	578 mm
ra max.	4 mm
Weight	144 Kg
Basic dynamic load rating (C)	2 980 kN
Basic static load rating (C0)	6 050 kN
(Grease) Lubrication Speed	520 r/min
(Oil) Lubrication Speed	680 r/min
Calculation factor (e)	0,24
Calculation factor (Y0)	2,73
Calculation factor (Y1)	2,8
Category	Bearings
Inventory	0.0
Manufacturer Name	NTN
Minimum Buy Quantity	N/A
Weight / Kilogram	0
Product Group	B04311



Shandong Xiangyue bearing Trading Co....