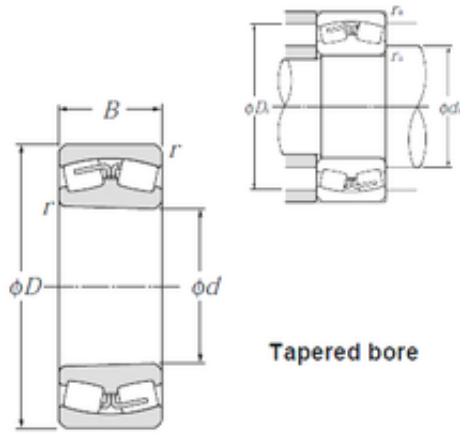




23224BK NTN Spherical Roller Bearings



23224BK Bearing 2D drawings and 3D CAD models

Bearing No. 23224BK

Size	120x215x76 mm
Bore Diameter	120 mm
Outer Diameter	215 mm
Width	76 mm
d	120 mm
D	215 mm
B	76 mm
C	76 mm
r min.	2,1 mm
da min.	132 mm
Da max.	203 mm
ra max.	2 mm
Weight	11,7 Kg
Basic dynamic load rating (C)	585 kN
Basic static load rating (C0)	880 kN
(Grease) Lubrication Speed	1 500 r/min
(Oil) Lubrication Speed	2 000 r/min
Calculation factor (e)	0,36
Calculation factor (Y0)	1,85
Calculation factor (Y1)	1,89