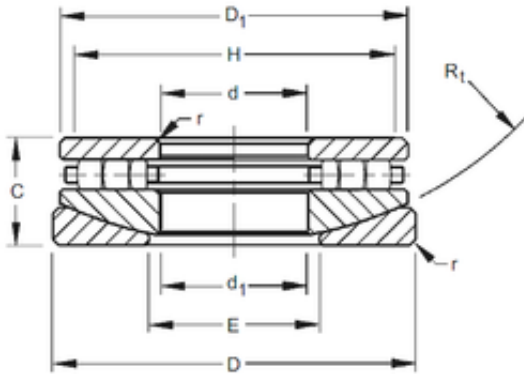




Timken 140TPS160 Thrust Cylindrical Roller Bearing



Bearing No. 140TPS160

Bore Diameter	355,6 mm
Outer Diameter	631,825 mm
d	355,6 mm
D	631,825 mm
r max	6,4 mm
d1	361,95 mm
C	123,825 mm
D1	606,62 mm
E	415,9 mm
H	581 mm
R	917,58 mm

140TPS160 Bearing 2D drawings and 3D CAD models