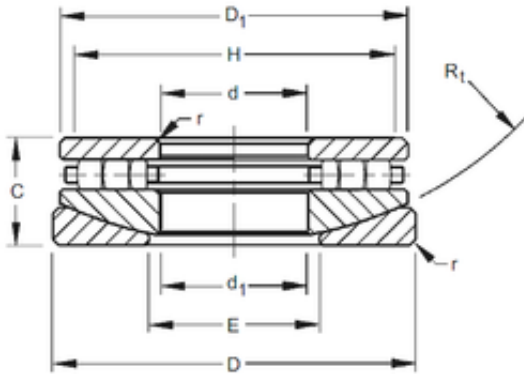




Timken 120TPS151 Thrust Cylindrical Roller Bearing



Bearing No. 120TPS151

Bore Diameter	304,8 mm
Outer Diameter	479,425 mm
d	304,8 mm
D	479,425 mm
r max	6,4 mm
d1	311,15 mm
C	127 mm
D1	454,82 mm
E	346,1 mm
H	438,2 mm
R	390,53 mm

120TPS151 Bearing 2D drawings and 3D CAD models