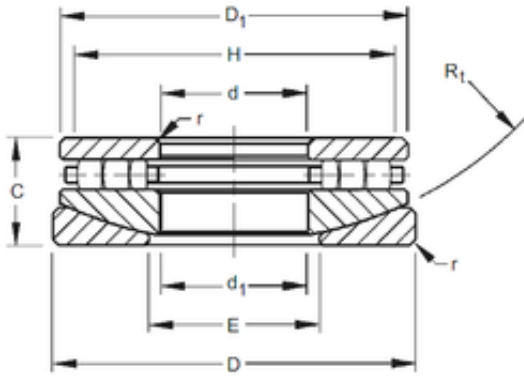




Timken 100TPS145 Thrust Cylindrical Roller Bearing



Bearing No. 100TPS145

Bore Diameter	254 mm
Outer Diameter	530,225 mm
d	254 mm
D	530,225 mm
r max	6,4 mm
d1	260,36 mm
C	127 mm
D1	505,62 mm
E	336,6 mm
H	481 mm
R	609,6 mm

100TPS145 Bearing 2D drawings and 3D CAD models