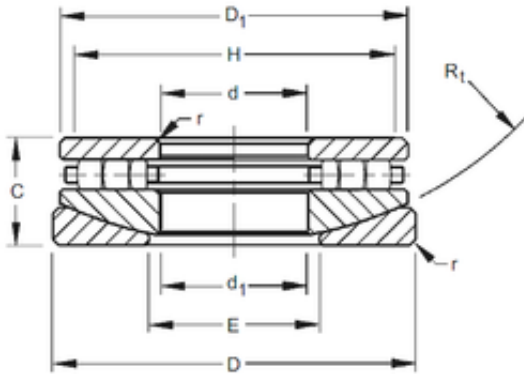




Timken 40TPS116 Thrust Cylindrical Roller Bearing



Bearing No. 40TPS116

Bore Diameter	101,6 mm
Outer Diameter	238,125 mm
d	101,6 mm
D	238,125 mm
r max	1,6 mm
d1	103,98 mm
C	58,738 mm
D1	227,01 mm
E	149,2 mm
H	214,3 mm
R	254 mm

40TPS116 Bearing 2D drawings and 3D CAD models