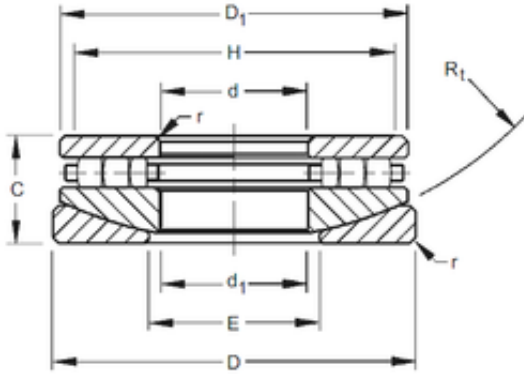




Timken 40TPS114 Thrust Cylindrical Roller Bearing



Bearing No. 40TPS114

Bore Diameter	101,6 mm
Outer Diameter	187,327 mm
d	101,6 mm
D	187,327 mm
r max	1,6 mm
d1	103,98 mm
C	58,738 mm
D1	176,21 mm
E	127 mm
H	168,3 mm
R	161,93 mm

40TPS114 Bearing 2D drawings and 3D CAD models