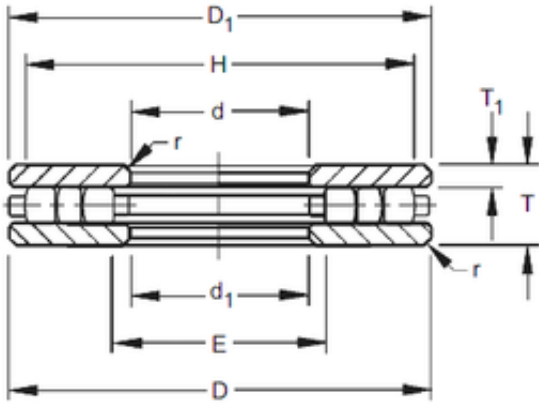




Timken 240TP179 Thrust Cylindrical Roller Bearing

Bearing No. 240TP179



240TP179 Bearing 2D drawings and 3D CAD models

Size	609.6x914.4x152.4 mm
Bore Diameter	609,6 mm
Outer Diameter	914,4 mm
Width	152,4 mm
d	609,6 mm
D	914,4 mm
T	152,4 mm
r max	9,5 mm
T1	42,07 mm
d1	612,8 mm
D1	911,2 mm
E	635 mm
H	889 mm