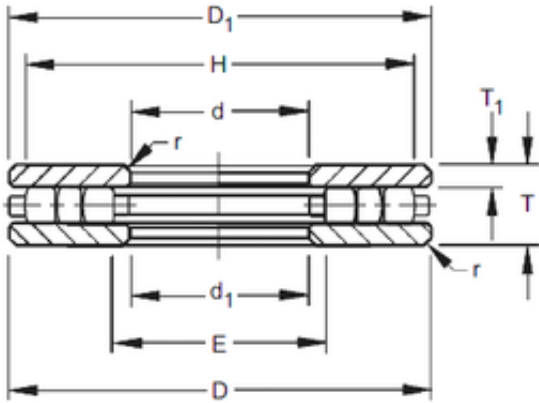




Timken 220TP175 Thrust Cylindrical Roller Bearing

Bearing No. 220TP175



220TP175 Bearing 2D drawings and 3D CAD models

Size	558.8x812.8x139.7 mm
Bore Diameter	558,8 mm
Outer Diameter	812,8 mm
Width	139,7 mm
d	558,8 mm
D	812,8 mm
T	139,7 mm
r max	6,4 mm
T1	38,1 mm
d1	562 mm
D1	809,6 mm
E	589 mm
H	782,6 mm