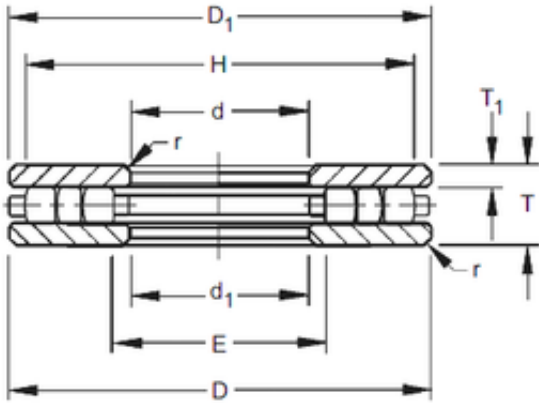




Timken 220TP174 Thrust Cylindrical Roller Bearing

Bearing No. 220TP174



220TP174 Bearing 2D drawings and 3D CAD models

| | |
|----------------|--------------------|
| Size | 558.8x762x139.7 mm |
| Bore Diameter | 558,8 mm |
| Outer Diameter | 762 mm |
| Width | 139,7 mm |
| d | 558,8 mm |
| D | 762 mm |
| T | 139,7 mm |
| r max | 6,4 mm |
| T1 | 38,1 mm |
| d1 | 562 mm |
| D1 | 758,8 mm |
| E | 584,2 mm |
| H | 736,6 mm |