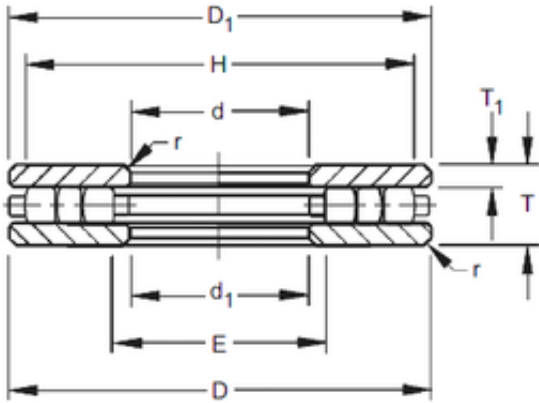




Timken 180TP169 Thrust Cylindrical Roller Bearing

Bearing No. 180TP169



180TP169 Bearing 2D drawings and 3D CAD models

Size	457.2x711.2x127 mm
Bore Diameter	457,2 mm
Outer Diameter	711,2 mm
Width	127 mm
d	457,2 mm
D	711,2 mm
T	127 mm
r max	6,4 mm
T1	34,92 mm
d1	460,4 mm
D1	708 mm
E	484,2 mm
H	684,2 mm