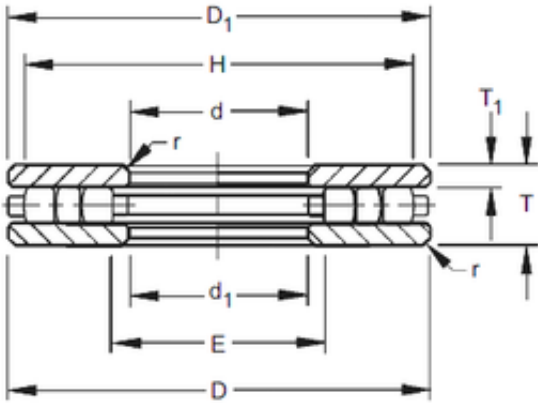




Timken 140TP159 Thrust Cylindrical Roller Bearing

Bearing No. 140TP159



140TP159 Bearing 2D drawings and 3D CAD models

Size	355.6x558.8x95.25 mm
Bore Diameter	355,6 mm
Outer Diameter	558,8 mm
Width	95,25 mm
d	355,6 mm
D	558,8 mm
T	95,25 mm
r max	6,4 mm
T1	26,19 mm
d1	358,78 mm
D1	555,62 mm
E	379,4 mm
H	535 mm