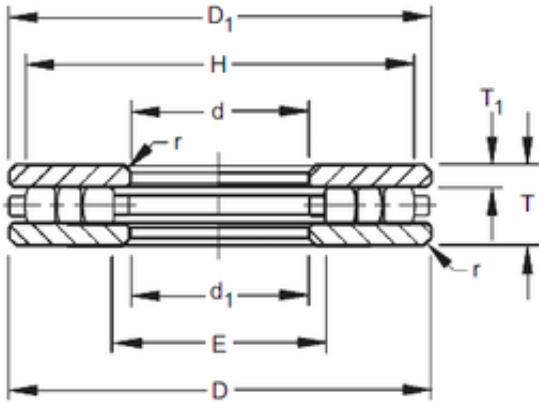




Timken 100TP144 Thrust Cylindrical Roller Bearing

Bearing No. 100TP144



100TP144 Bearing 2D drawings and 3D CAD models

Size	254x457.2x95.25 mm
Bore Diameter	254 mm
Outer Diameter	457,2 mm
Width	95,25 mm
d	254 mm
D	457,2 mm
T	95,25 mm
r max	6,4 mm
T1	26,19 mm
d1	256,38 mm
D1	454,82 mm
E	276,2 mm
H	435 mm