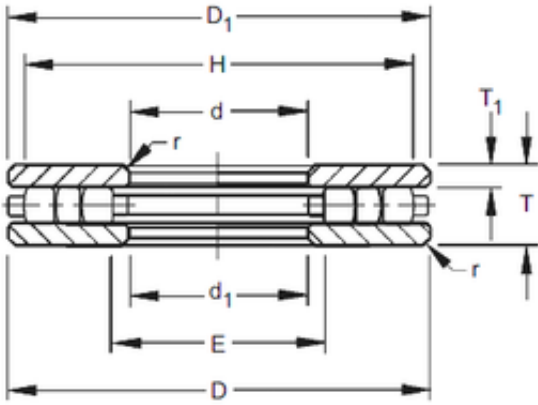




Timken 50TP123 Thrust Cylindrical Roller Bearing

Bearing No. 50TP123



50TP123 Bearing 2D drawings and 3D CAD models

Size	127x304.8x50.8 mm
Bore Diameter	127 mm
Outer Diameter	304,8 mm
Width	50,8 mm
d	127 mm
D	304,8 mm
T	50,8 mm
r max	3,2 mm
T1	14,29 mm
d1	128,59 mm
D1	303,21 mm
E	146 mm
H	288,9 mm