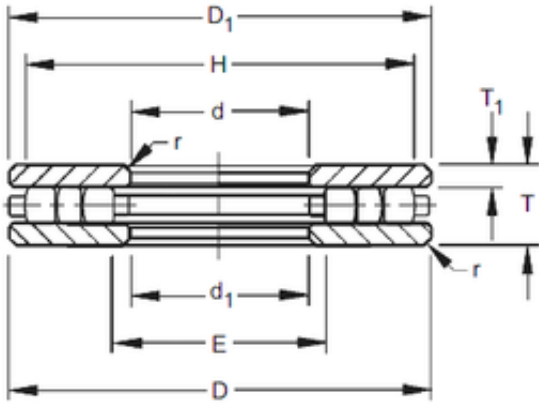




Timken 40TP117 Thrust Cylindrical Roller Bearing

Bearing No. 40TP117



40TP117 Bearing 2D drawings and 3D CAD models

Size	101.6x254x44.45 mm
Bore Diameter	101,6 mm
Outer Diameter	254 mm
Width	44,45 mm
d	101,6 mm
D	254 mm
T	44,45 mm
r max	1,6 mm
T1	12,7 mm
d1	103,19 mm
D1	252,41 mm
E	117,5 mm
H	238,1 mm