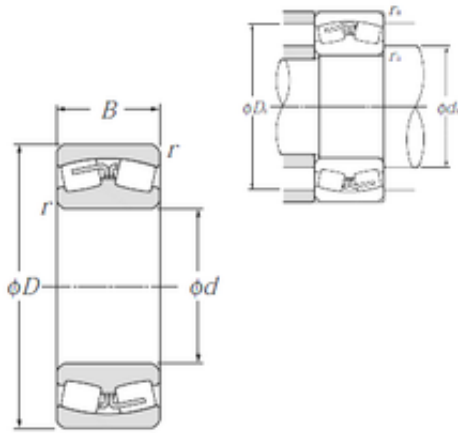




# Shandong Xiangyue bearing Trading Co....

## 380 mm x 680 mm x 240 mm NTN 23276B Spherical Roller Bearings



Bearing No. 23276B

|                               |                |
|-------------------------------|----------------|
| Size                          | 380x680x240 mm |
| Bore Diameter                 | 380 mm         |
| Outer Diameter                | 680 mm         |
| Width                         | 240 mm         |
| d                             | 380 mm         |
| D                             | 680 mm         |
| B                             | 240 mm         |
| C                             | 240 mm         |
| r min.                        | 6 mm           |
| da min.                       | 408 mm         |
| Da max.                       | 652 mm         |
| ra max.                       | 5 mm           |
| Weight                        | 380 Kg         |
| Basic dynamic load rating (C) | 5 200 kN       |
| Basic static load rating (C0) | 9 650 kN       |
| (Grease) Lubrication Speed    | 430 r/min      |
| (Oil) Lubrication Speed       | 550 r/min      |
| Calculation factor (e)        | 0,36           |
| Calculation factor (Y0)       | 1,85           |
| Calculation factor (Y1)       | 1,89           |

23276B Bearing 2D drawings and 3D CAD models