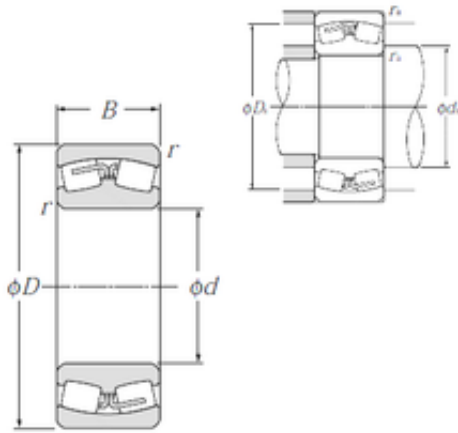




Shandong Xiangyue bearing Trading Co....



320 mm x 480 mm x 160 mm NTN 24064B Spherical Roller Bearings

Bearing No. 24064B

24064B Bearing 2D drawings and 3D CAD models

Size	320x480x160 mm
Bore Diameter	320 mm
Outer Diameter	480 mm
Width	160 mm
d	320 mm
D	480 mm
B	160 mm
C	160 mm
r min.	4 mm
da min.	338 mm
Da max.	462 mm
ra max.	3 mm
Weight	103 Kg
Basic dynamic load rating (C)	2 510 kN
Basic static load rating (C0)	5 200 kN
(Grease) Lubrication Speed	600 r/min
(Oil) Lubrication Speed	780 r/min
Calculation factor (e)	0,33
Calculation factor (Y0)	2,02
Calculation factor (Y1)	2,06
Category	Bearings
Inventory	0.0
Manufacturer Name	NTN
Minimum Buy Quantity	N/A
Weight / Kilogram	105



Shandong Xiangyue bearing Trading Co....

Product Group	
---------------	--

	B04311
--	--------