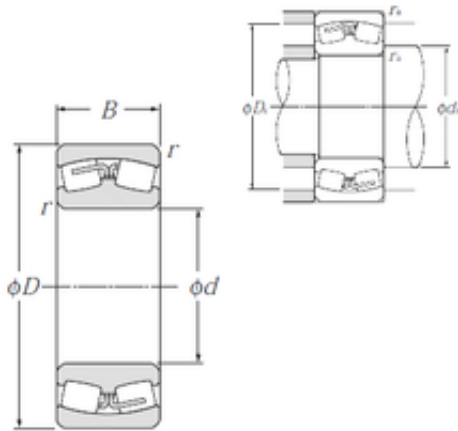




# Shandong Xiangyue bearing Trading Co....



24138B Bearing 2D drawings and 3D CAD models

## 190 mm x 320 mm x 128 mm NTN 24138B Spherical Roller Bearings

Bearing No. 24138B

|                               |                           |
|-------------------------------|---------------------------|
| Size                          | 190x320x128 mm            |
| Bore Diameter                 | 190 mm                    |
| Outer Diameter                | 320 mm                    |
| Width                         | 128 mm                    |
| d                             | 190 mm                    |
| D                             | 320 mm                    |
| B                             | 128 mm                    |
| C                             | 128 mm                    |
| r min.                        | 3 mm                      |
| da min.                       | 204 mm                    |
| Da max.                       | 306 mm                    |
| ra max.                       | 2,5 mm                    |
| Weight                        | 42,8 Kg                   |
| Basic dynamic load rating (C) | 1 420 kN                  |
| Basic static load rating (C0) | 2 480 kN                  |
| (Grease) Lubrication Speed    | 1 000 r/min               |
| (Oil) Lubrication Speed       | 1 300 r/min               |
| Calculation factor (e)        | 0,4                       |
| Calculation factor (Y0)       | 1,65                      |
| Calculation factor (Y1)       | 1,69                      |
| Category                      | Spherical Roller Bearings |
| Inventory                     | 0.0                       |
| Manufacturer Name             | NTN                       |
| Minimum Buy Quantity          | N/A                       |
| Weight / Kilogram             | 41.54                     |



## Shandong Xiangyue bearing Trading Co....

|                           |   |
|---------------------------|---|
| EAN                       | 4547359523522   |
| Product Group             | B04311  |
| Internal Clearance        | C0-Medium   |
| Mounting Method           | Shaft Mount   |
| Rolling Element           | Spherical Roller Bearing  |
| Bore Profile              | Straight  |
| Cage Material             | Bronze  |
| Enclosure                 | Open  |
| Number of Rows of Rollers | Double Row  |
| Relubricatable            | Yes   |
| Withdrawal Sleeve         | Not Applicable  |
| Withdrawal Nut            | Not Applicable  |
| Inch - Metric             | Metric  |
| Long Description          | 190MM Straight Bore;<br>320MM Outside Diameter;<br>128MM Width;<br>C0-Medium Clearance;<br>Shaft Mount; Double Row<br>of Spherical Roller Bearings;<br>Bronze Cage Material;<br>Open Enclosure;<br>Relubricatable |
| Category                  | Spherical Roller Bearing  |
| UNSPSC                    | 31171510  |
| Harmonized Tariff Code    | 84823080  |
| Noun                      | Bearing   |
| Keyword String            | Spherical   |
| Manufacturer URL          | <a href="http://www.ntnamerica.com">http://www.ntnamerica.com</a>   |
| Weight / LBS              | 91.494  |
| Bore                      | 7.48 Inch   190 Millimeter  |
| Adapter Part Number       | Not Applicable Inch   Not<br>Applicable Millimeter  |
| Width                     | 5.039 Inch   128 Millimeter   |
| Outside Diameter          | 12.598 Inch   320 Millimeter  |



## Shandong Xiangyue bearing Trading Co....